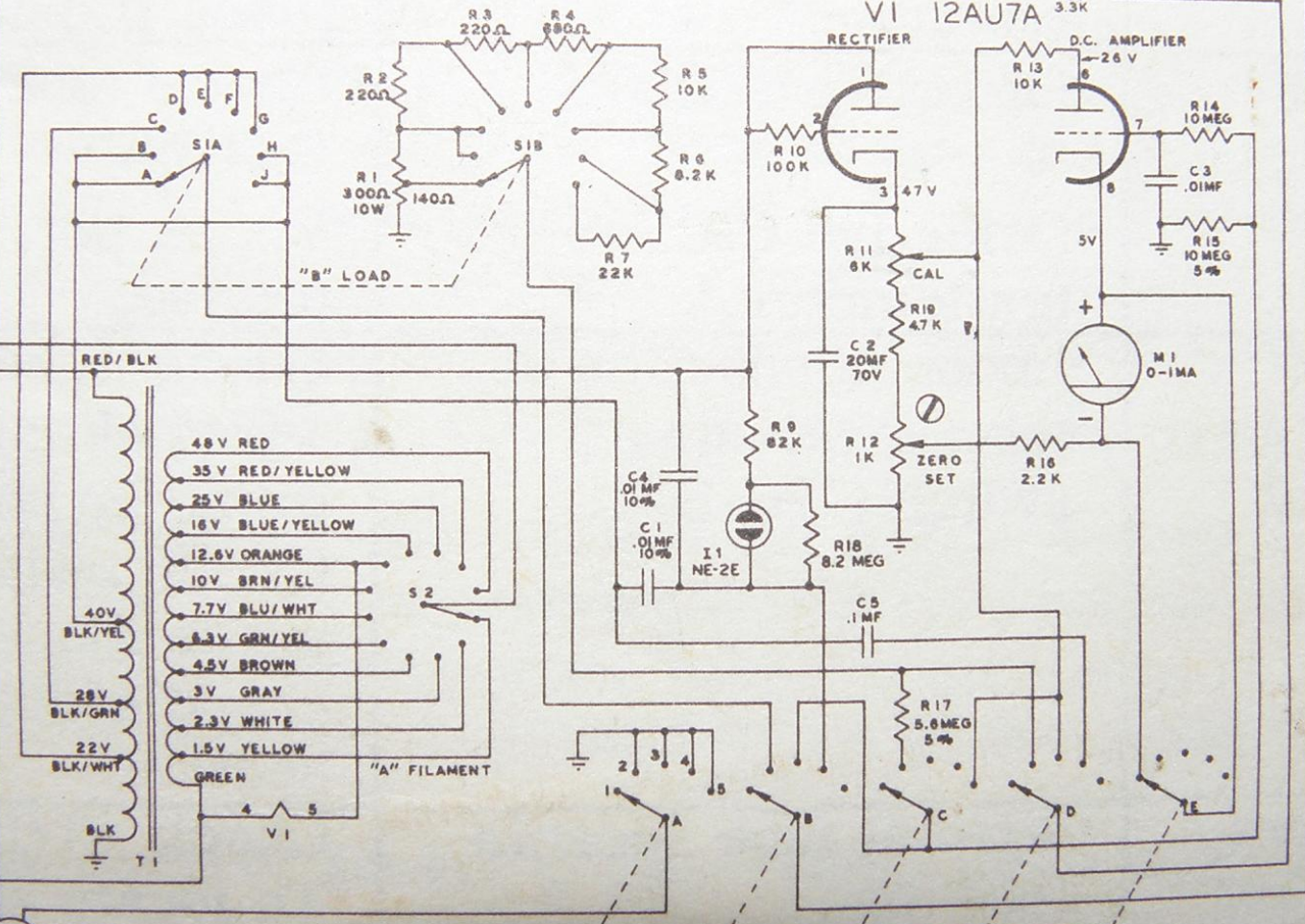
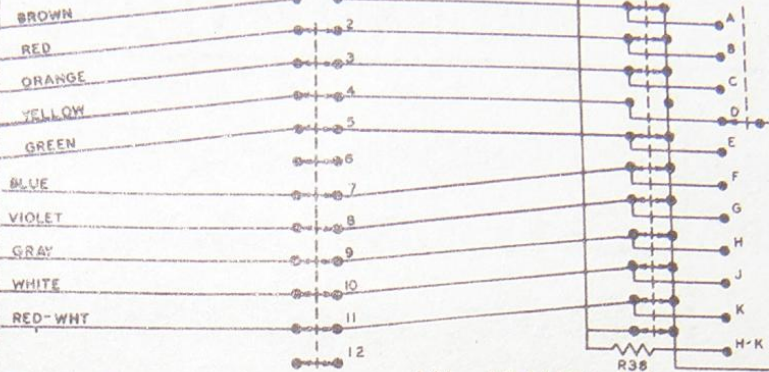


SOCKET CONNECTIONS

1	2	3	4	5	6	7	8	9	10	11	12
7	7	4	3	4	10	7	4	1	1	5	4
2	8	5	4	5	12	1	5	8	12	6	5
1	1	1	1	1		1		11	1	1	
2	2	2	2	2	2	NC	2	2	2	2	
3	3	3		3		3	3	3	3	3	
4	4			4	4	4	4	4			
5	5		5		5	5	5				
6	6	6	6	6		6	6	6	6		6
	7	7	7			7	7	7	7	7	
8	8	8	8		NC		8	8	8		
	9	9			NC		9	9	9		
	10						10	10			

"C" SETUP S3

"D" SETUP S4



TC142 SCHEMATIC

S5 FUNCTION

105-125 V
50-60 CYCLE